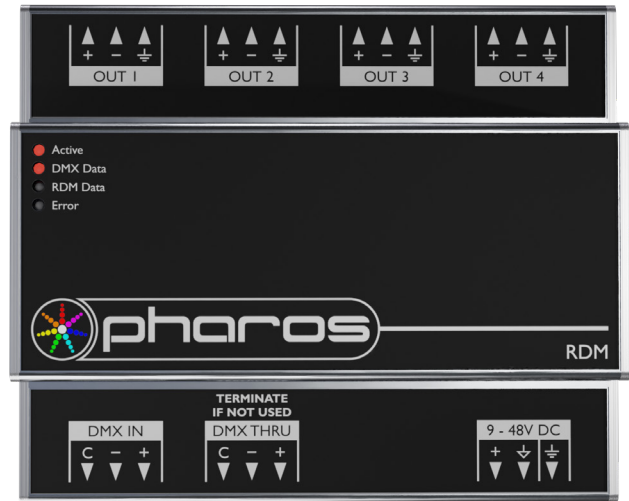




DMX Repeater

The Pharos RDM (Remote Device Management) is a 4 port DMX512 Splitter compatible with the RDM standard to provide DMX output to luminaires and other devices.



RDM Features



RDM

Supports the Remote Device Management protocol (ANSI E1.20) allowing devices connected to any of the four outputs to communicate back to a Controller over the DMX link.



Four Outputs

Repeats a DMX signal to 4 outputs, each allowing for 32 DMX devices to be connected.



Isolated

Opto-isolated input and through connection for daisy-chaining the DMX connection.



Installer Friendly

Made for permanent installation, with installer-friendly connectors and easy DIN rail mounting.



Reliable

Hardware and firmware are self-sufficient, so no PC needs to be left on site. Rugged, compact unit designed for 24/7 operation and reliability.

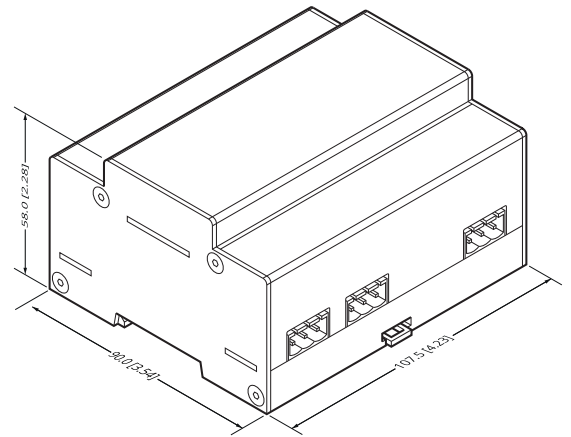


Interfaces

DMX/RDM input	DMX512 port, RDM compatible *
DMX/RDM thru	DMX512 port, RDM compatible *
DMX/RDM outputs	Four DMX512 ports, RDM compatible *

Specifications

Power	9-48V DC *, 4W typical
Temperature	0°C to 50°C (32°F to 122°F)
Humidity	10-50% relative, non-condensing
Ingress	IP40
Physical	6 unit wide DIN rail mounting enclosure (DIN43880 / EN60715 (35/7.5 rail)) 10.8 x 9 x 5.8 cm (4.2 x 3.5 x 2.3 in) 0.5 kg (1.1 lbs)
Shipping	20 x 15 x 12 cm (8 x 6 x 5 in) 0.7 kg (1.6 lbs)



Order Code & Variants

RDM	Designer DMX/RDM Splitter (4+1 Port: 1 in, 1 thru, 4 out)
------------	--

Warranty & Certifications

Warranty	5 years
Certifications	CE compliant, UKCA compliant, ETL/cETL listed.



* Install-friendly 0.200" (5.08mm) plug in rising clamp connectors (included)