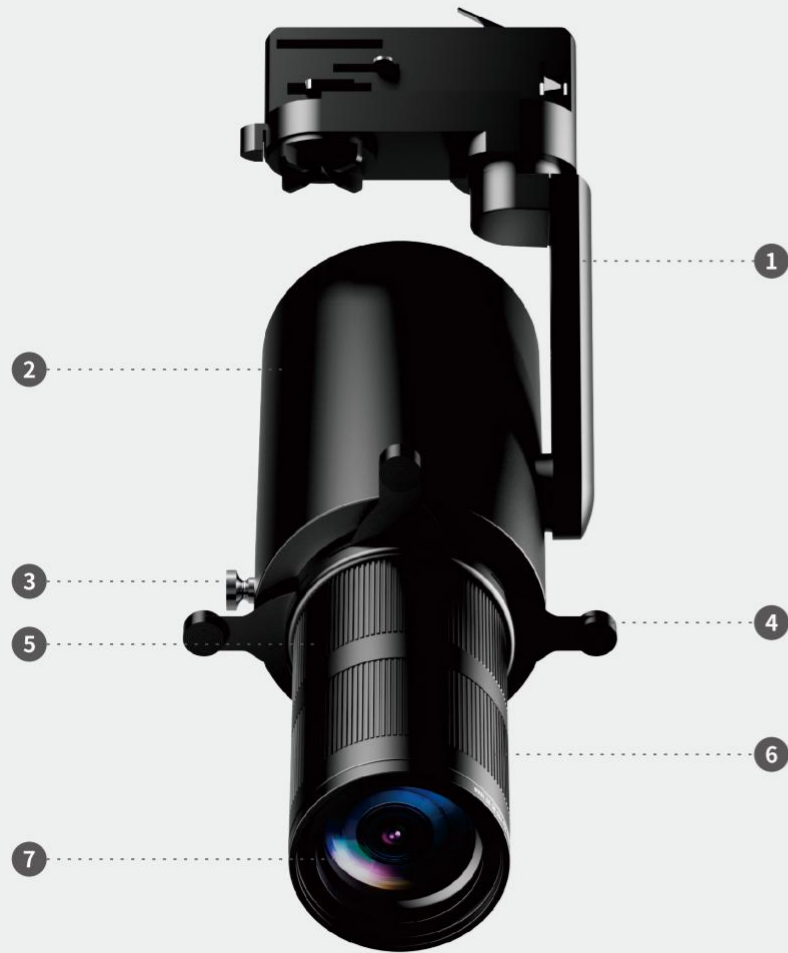


The Art Light Series

"Precision Picture Framing & Gobo Projection"



lamp structure



1- Holder

Support 355 degree rotation, the beam angle can be adjusted freely.

2-Cold forging integrated heat dissipation

The lamp body is made by 1070 High purity aluminium, and adopt the integrally-formed technology to ensure the good heat dissipation and protect the whole lamp.

3-Spot hand regulator

Hand release screw to realize the function of 355 degree rotation.

4-Optical adjustable aperture plates

The spot shape can be arbitrarily changed by adjusting the aperture plates

5-Zoom damping knob

Rotate it can change the size of spot

6-Focus damping knob

Rotate it can change the acutance of spot

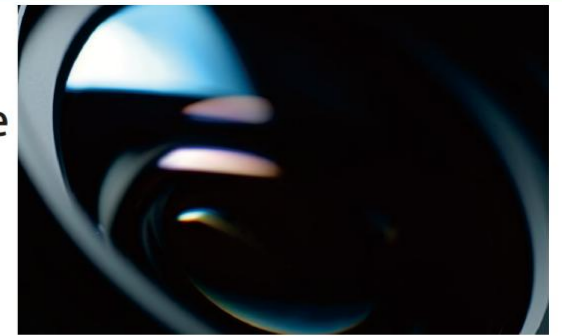
7-High quality coated optical lenses

It can increase light transmittance, reduce the distortion, eliminate the blue ray.

lens characteristics



professional-grade optical lens



precision-grade parts

- Multiple optical design patents
No distortion, uniform spot, high-definition projection
- Mechanical damping structure patent
No damping grease required, Very stable

high-precision assembly





Professional-grade lens

Multiple coated lens elements, precision cutting, uniform spot, high light output efficiency, low distortion. Make your paintings look vividly lifelike!



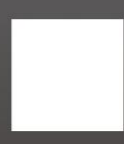
Circle



Trapezoid



Irregular shape



Square



Rhombus

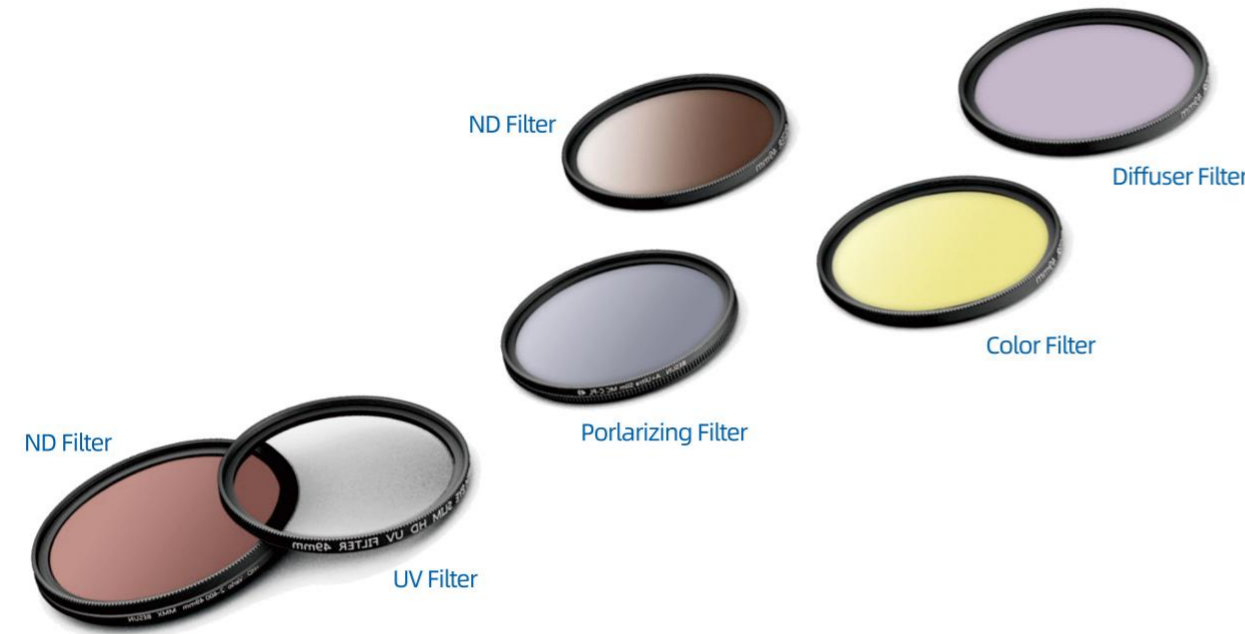


Triangle



Industrial Grade Optical Filter

Lens can be matched with a variety of industrial grade optical filters, can be customized special narrow band, extremely narrow band optical filters. Some filter functions can be superimposed, such as: HD UV+ Color filter, HD UV+ Soft light filter and so on.



Polarizing Filter: can eliminate the reflection on the surface of the object, so that the object shows the original appearance in the over-bright environment.



Color Filter: You can freely change the color of the light.



Dimming Filter: With electronic dimming, small Angle illumination can be adjusted to less than 75 lux for authentic display.



Used in special occasions, such as: circuit board printing, medicine, chemical sorting, etc.



Diffuser Filter: can make the light more soft.



UV Filter: can filter the ultraviolet light in the lamps, and protect the cultural relics.



Color Gradient Filter: makes the light have different color change effects. The medium gray gradient mirror makes the light have different brightness, and the uniform layer.

Projection Function



Physical Landscape Projection



Logo Icon Projection



Star Sky Projection



Marketing Projection

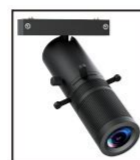
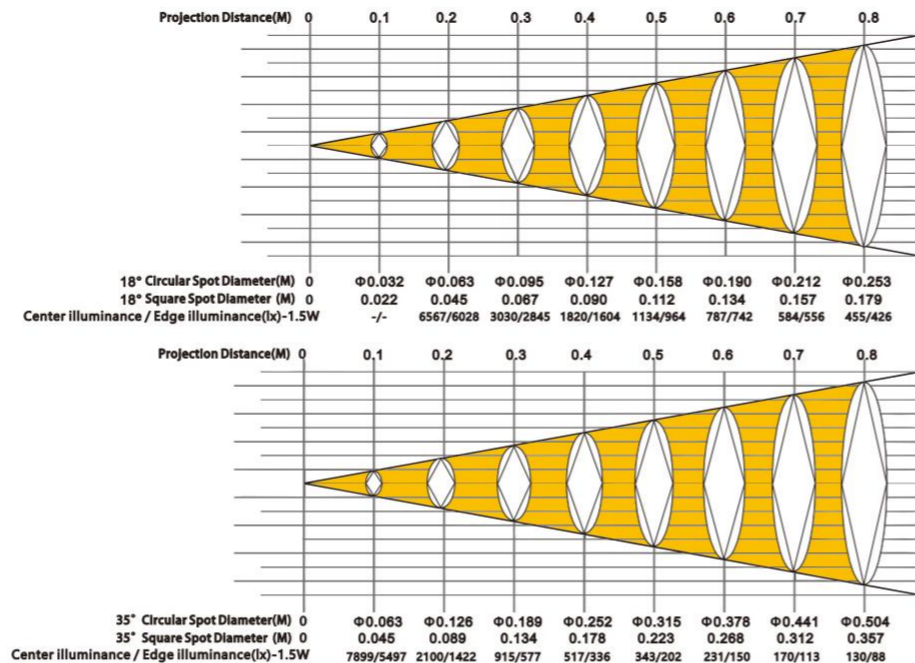


Delicious Food Projection

VF Super Mini Shapeable Light

VF Series

GHSVF2303-1835

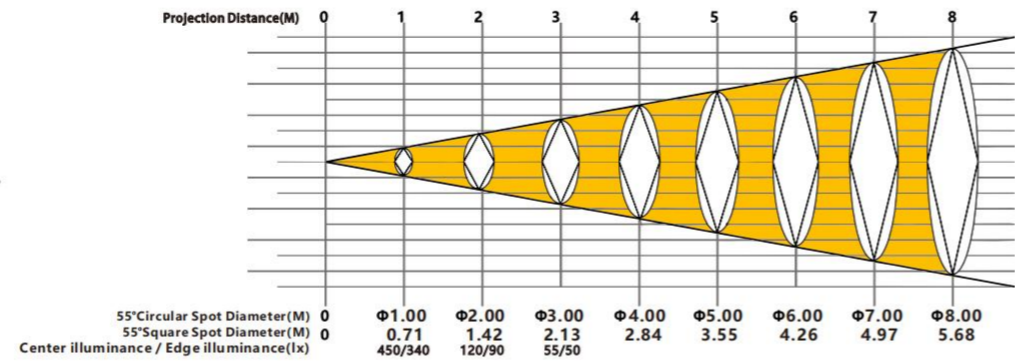
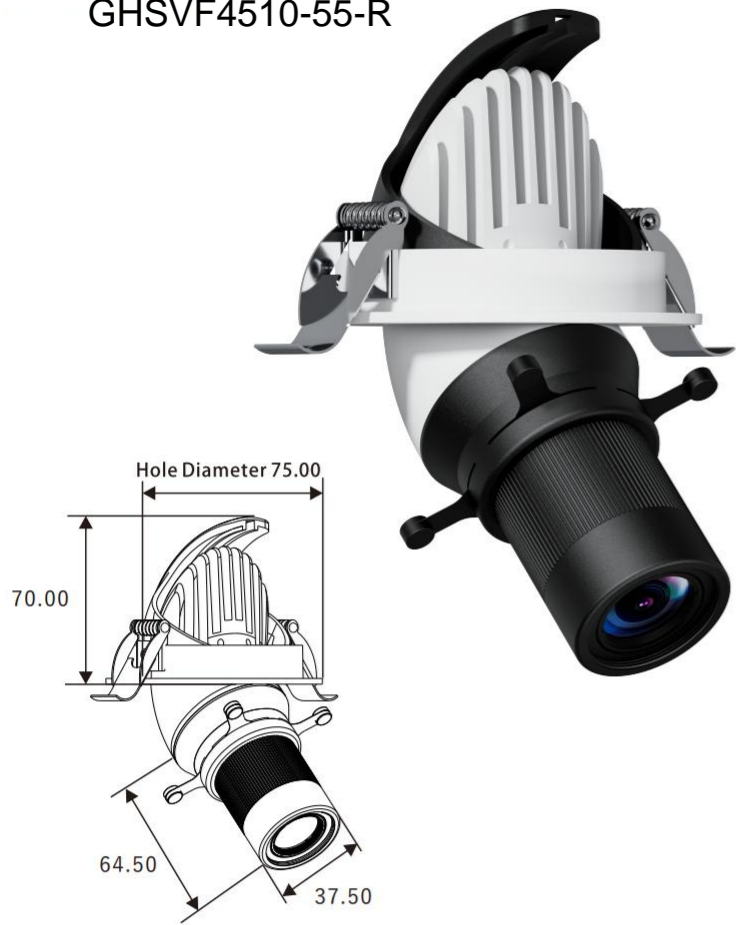


Power	Luminous Flux	CRI	CCT	Beam Angle	DIP CCT	Dimming	Smart Control	G.W	Filter Specification	Color
1-3W	13.89-41.67LM	Ra≥95	2700K/3000K/4000K	18°-35°	—	support	support	75g	—	Black



VF Series

GHSVF4510-55-R

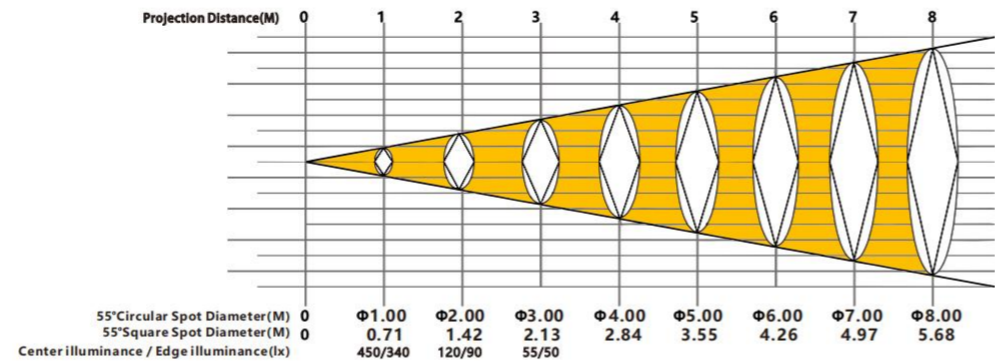
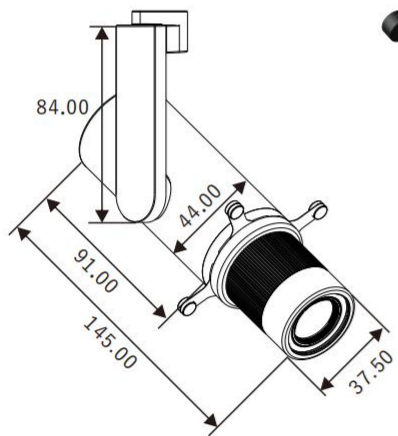


Power	Luminous Flux	CRI	CCT	Beam Angle	DIP CCT	Dimming	Smart Control	G.W	Filter Specification	Color
10W	250-300LM	Ra≥95	2700K/3000K/4000K	55°	Support	Support	Support	450g	37mm	Black/White



VF Series

GHSVF4510-55

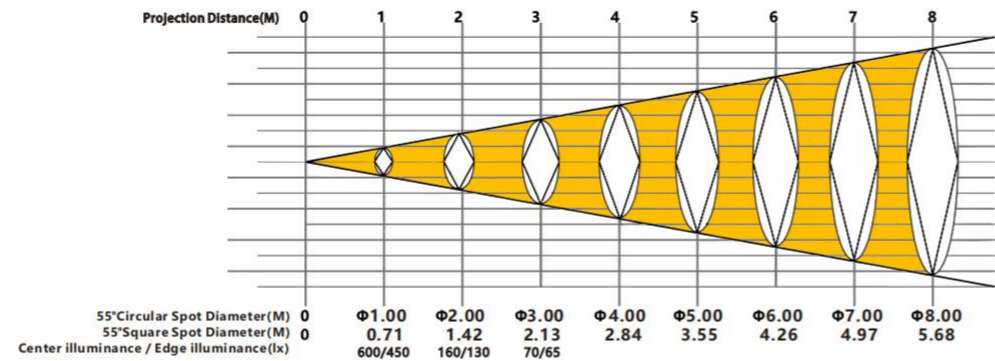


Power	Luminous Flux	CRI	CCT	Beam Angle	DIP CCT	Dimming	Smart Control	G.W	Filter Specification	Color
10W	250-300LM	Ra≥95	2700K/3000K/4000K	55°	Support	Support	Support	430g	37mm	Black/White



VF Series

GHSVF5015-55



Power	Luminous Flux	CRI	CCT	Beam Angle	DIP CCT	Dimming	Smart Control	G.W	Filter Specification	Color
15W	330-380LM	Ra≥95	2700K/3000K/4000K	55°	Support	Support	Support	530g	37mm	Black/White

