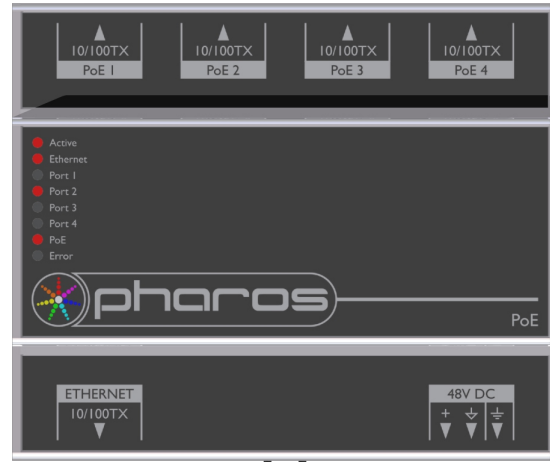


### Overview

The Pharos PoE provides a simple power and networking solution for four Power-over-Ethernet devices with a separate Ethernet uplink port. It is perfect for connecting power and data between Pharos Controllers and Pharos Remote Devices.



### Features



#### PoE Technology

Combine power and data in a single Ethernet cable using PoE (IEEE 802.3af) technology making it easy to locate your Pharos devices where you need them.



#### Multiple Ports

Use four ports to power and connect multiple Pharos Controllers or Remote Devices (or other IEEE 802.3af compliant devices). A fifth port (without PoE) is available to connect to your computer or other networks.



#### No Commissioning

The simple un-managed switch operates out of the box, with no commissioning required.

#### Reliable

Hardware and firmware are self-sufficient, so no PC needs to be left on site. Rugged, compact unit designed for 24/7 operation and reliability.

#### Installer Friendly

Made for permanent installation, with installer-friendly connectors and easy DIN rail mounting.

#### 5 Year Warranty

Designed and manufactured in the UK, with quality and reliability our top priority.

#### Certifications

CE compliant, ETL/cETL listed, and California Title 20/24 compliant.

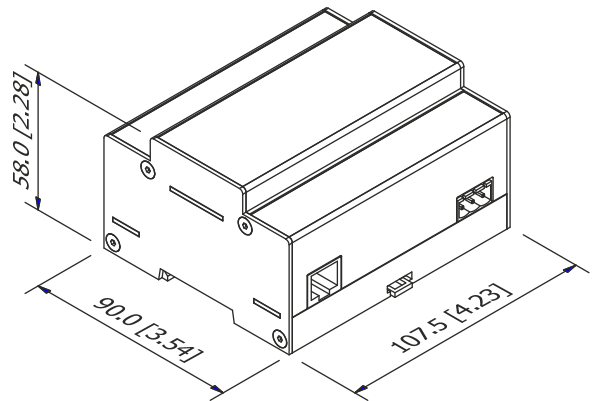


## Interfaces

<b>PoE</b>	Four RJ45 sockets for 10/100Base-TX Ethernet with Power-over-Ethernet
<b>Ethernet</b>	RJ45 socket for 10/100Base-TX Ethernet

## Specifications

<b>Certifications</b>	CE compliant, ETL/cETL listed
<b>Power</b>	48V DC * power consumption dependant on load, 60W maximum
<b>Temperature</b>	0°C to 50°C (32°F to 122°F)
<b>Humidity</b>	10-50% relative, non-condensing
<b>Ingress</b>	IP40
<b>Physical</b>	6 unit wide DIN rail mounting enclosure (DIN43880 / EN60715 (35/7.5 rail)) 0.5 kg (1.1 lbs)
<b>Shipping</b>	20 x 15 x 12 cm (8" x 6" x 5") 0.7 kg (1.6 lbs)
<b>Warranty</b>	5 years * Install-friendly 0.200" (5.08mm) plug in rising clamp connectors (included)



## Order Code & Variants

<b>PoE</b>	Unmanaged PoE Ethernet Switch (4+1 Port: 4 PoE, 1 non-PoE)
------------	--

