



Wireless

data sheet

RLED18-1ACI

WIRELESS 18W CONSTANT CURRENT DIMMING LED DRIVER.



WHAT IS IT ?

A compact integrated 18W constant current LED driver and dimmer with in-built RF receiver and Rako processor for constant current LED fittings. Selectable outputs of 350, 500, 600 and 700mA with a forward voltage range of 3-32V DC. The module is designed to fit through a ceiling cut-out of 50mm diameter or greater.

The module is connected in-line before the first fitting and can control up to 9 LEDs in series (note: some fittings may use multiple LEDs, if in doubt refer to Rako's technical department) with a maximum wattage of 18W.

Controlled from any Rako Rakom device, e.g. RCP/RCM wall plates or Bridge interface units.

The RLED18-1ACI is a wireless 18w constant current dimming LED driver, suitable for ceiling or cupboard mounting.



IN CONTROL

Designed to fit through a ceiling cut-out of 50mm diameter or greater the RLED18-1ACI is fed directly from the mains being an integrated dimmer and driver unit avoids need for separate drivers. The unit can also be used for exterior lighting control applications with the use of a weatherproof IP rated enclosure.

Programmed using either an RCM/RCP RF wallplate or the RASOFT PC software suite, the unit stores the house, room and channel address plus 16 preset scene levels in non volatile memory.

The RLED18-1ACI dimmer can be controlled from any Rako transmitter such as RCM/RCP wallplates, RAH hand helds and Bridge modules and forms the foundation of any Rako scene-set system.

For more information on dimming LEDs refer to Rako's application sheet 'Controlling LED Lighting With Rako Dimmers and Modules'.



Wireless

data sheet

RLED18-1ACI

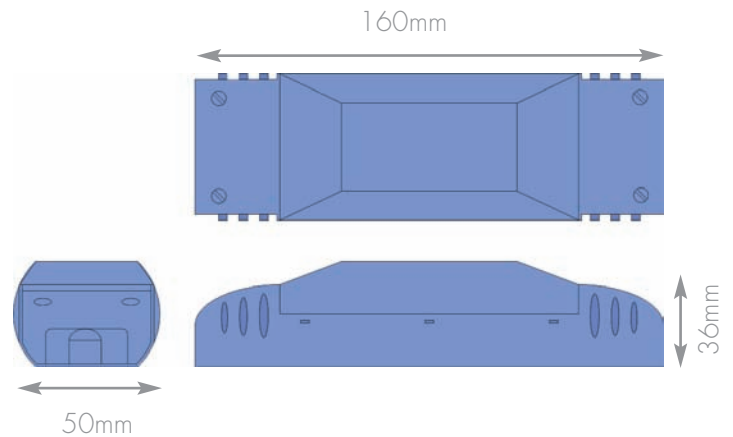
WIRELESS 18W CONSTANT CURRENT DIMMING LED DRIVER.



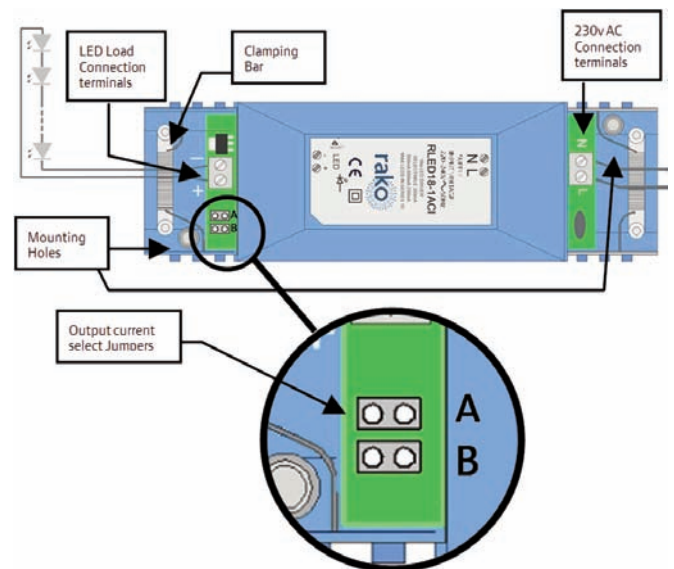
technical data

dimensions	160x50x36mm
input supply	230V AC +/-10% 50Hz
weight	125g
housing	UL V0 ABS
climate range	Temperature +2C to +40C Humidity +5% to 95% non condensing
connections	2 way screw terminals for mains power 2 way screw terminals for load connections.
load types	Constant Current LED Fittings
minimum load	1w
maximum load	18w
terminal sizes	1.5mm ² - Stranded 2.5mm ² - Solid
standards	Emissions - EN61000-6-3 : 2001 Immunity - EN61000-6-1 : 2001
communication	Rakom coded fm radio, 433.9MHz
memory	Flash memory (non volatile)

mechanical data



wiring schematic



telephone +44 (0) 1634 226666 fax +44 (0) 1634 226667 www.rakocontrols.com

WE RESERVE THE RIGHT TO CHANGE THE SPECIFICATION AND DATA HEREWITH WITHOUT NOTICE.

© 2012 RAKO CONTROLS LIMITED